

EXCEPTIONAL CRUISES



PARINAUTES





WELCOME TO THE LEGEND



Discover Paris in our mythic boats, known for their beauty and elegance. They offer a unique journey along the river Seine. Onboard, you're guided by the Parinautes with their impeccable uniforms, passing famous landmarks and monuments. This experience provides a new view of the city's architecture, creating lasting memories, whether romantic or with friends.



THE NAUTES DE LUTÈCE



BESPOKE CRUISES



CRUISES FOR
WEDDINGS



FILMING & COMMERCIAL
SHOOTS



A MAGICAL VISIT

The Seine is a sumptuous avenue which allows us to admire the very heart of Paris. It gives an unusual and privileged view of the most iconic sites ; The Eiffel Tower, the Alexander III Bridge, Notre Dame and the Island of Saint Louis...

Seeing them from our legendary wooden boats, spiced with the many anecdotes of the pilot, makes it a unique experience.

BESPOKE CRUISES



CHOICE #1

THE ROMANTIC SEINE

Say “yes” to these romantic moments and enjoy your wedding day in a sublime setting. All possibilities to personalize the cruise are open to give a moment that is truly yours. As such, you may even have a cortege of boats to follow and share your wedding cruise with your guests.

WEDDING CRUISE



CHOICE #2

A REAL MISE EN SEINE

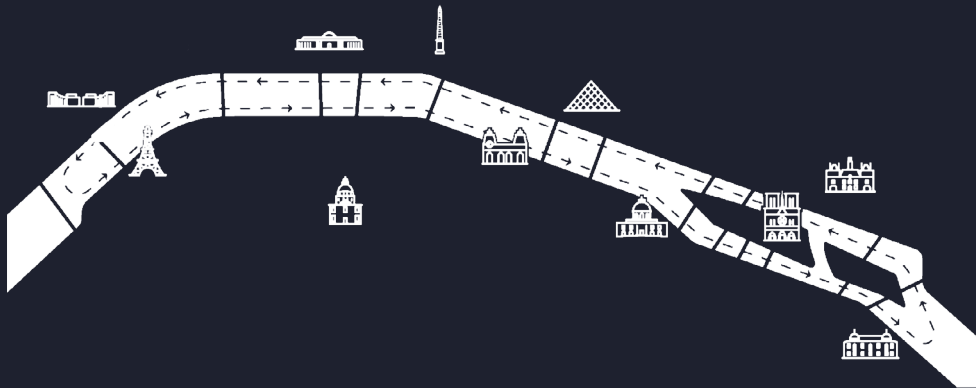
If the boats of the Parinautes are dedicated primarily to cruises it is possible to hire the Hacker-Craft for the shooting of films or advertising. The emotion is guaranteed.

FILMING & COMMERCIAL SHOOTS



CHOICE #3

DISCOVER PARIS FROM THE SEINE



DISCOVER PARIS ABOARD A MYTHIC PRIVATE BOAT, IN
THE HISTORIC HEART OF PARIS. WHERE YOU CAN ENJOY
A MAGNIFICENT VIEW FROM THE SEINE.

BOARDING :

- Henry IV
- Louvre
- Beaugrenelle

(other boat stops are possible in Paris with an extra charge)





OUR SERVICES

1H30 PRIVATE CRUISE IN THE HEART OF PARIS



A BOTTLE OF RUINART CHAMPAGNE
(Dom Pérignon available upon request)



SOME MACARONS



FRUIT JUICES AND MINERAL WATERS



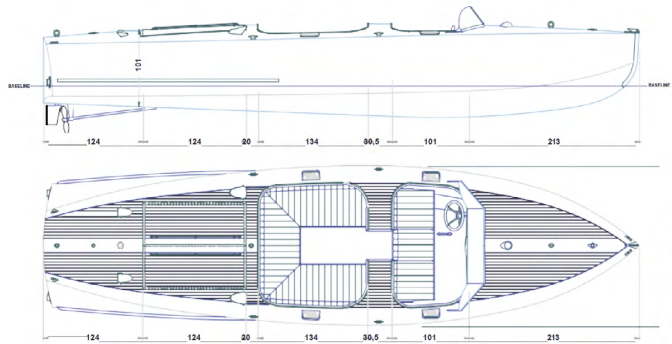
BLUETOOTH SPEAKERS





Hortense

THE HACKER CRAFT



The purity and elegance of its lines have remained unchanged over the years. Crafted with luxurious leather and mahogany, adorned with a gold signature on its side, every detail is meticulously executed by master craftsmen.

The Hacker-Craft of the Parinautes is a true masterpiece. Originally designed by John L. Hacker at the turn of the 20th century, this «runabout» was initially a sports boat, renowned for setting numerous speed records.

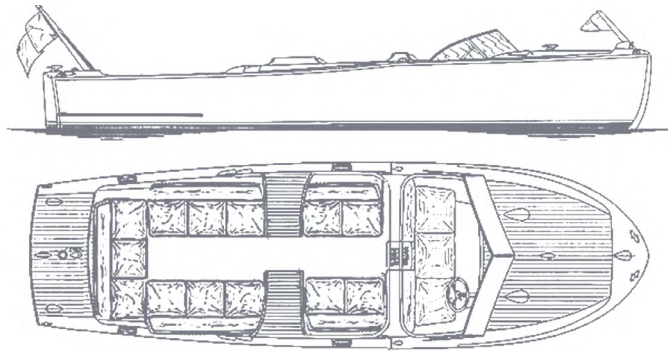
Today, on the Seine River, our Hacker-Craft, affectionately named «Hortense» seamlessly combines the best of the past and the future. Its hybrid engine ensures a noise-free journey, allowing you to fully immerse yourself in the pleasure of sailing along the river. Sublime in every aspect, it leaves behind a lasting and perfectly crafted memory.





Le Coq d'Eau

THE CRIS-CRAFT



Sailing aboard a 1948 Chris-Craft is a journey back in time, where style and craftsmanship converge to create an unparalleled nautical experience. This collector's boat, embodying the charm and luxury of the post-war era, stands out with its solid mahogany hull, chrome finishes and brass details, while the finely crafted dashboard reflects Chris-Craft's signature attention to detail.

Beneath the hood, this 1948 Chris-Craft sedan Sportsman model boasts two powerful and reliable engines of 145 H.P each. Its sleek and graceful silhouette glides effortlessly across the water, providing performance that rivals modern vessels.

The 1948 Chris-Craft is not just a boat; it's a testament to an era when design and craftsmanship reached their pinnacle. Cruising in such a vessel is like holding a piece of nautical history, a centerpiece for any collector or connoisseur of fine things. It is a floating dream, where every voyage becomes an eulogy to the art of living in the 1940s.





PARINAUTES

CAPTAIN ROCH DE ROBIEN

+ 33 1 46 62 92 79

CONTACT@PARINAUTES.COM

PARINAUTES-CRUISE.COM

@PARINAUTES

